



Fly Screen Door

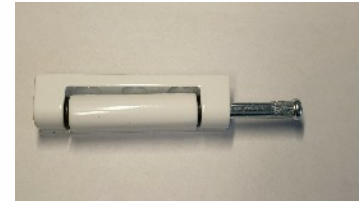
Each assembled door will come with the following components



1 door made to your dimensions



1 door closer



1 pair of hinges



Door handle



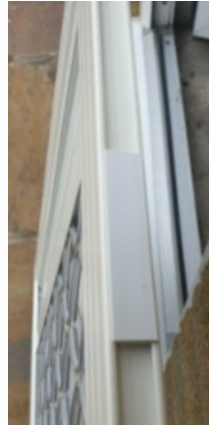
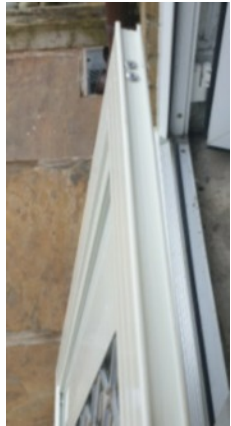
Brush strip



Assorted screws



Sub frame - if ordered



1. Decide which way you want the door to open and then fit the hinges. Slot the upvc fillet into the side groove, place the hinge in position and then using the self drive screws fix in position.
2. Put the pin back into the hinge to assemble and then position the door onto the frame or sub frame and mark the position of the hinges. Remove the pin from the hinges and then fix the hinges onto your marked position.
3. Position the door back onto the hinges and replace the pins.

Door Closer



Door jamb bracket



Fly screen door bracket



Screws pins and holder

The door jamb bracket needs to be positioned and screwed to the existing door frame or subframe, you will need 40mm for this to fix onto

Use the short connector pin on the extending rod to hold the piston onto the bracket



Slide the holder along the extending rod, this can be used to hold the door in the open position once fully installed



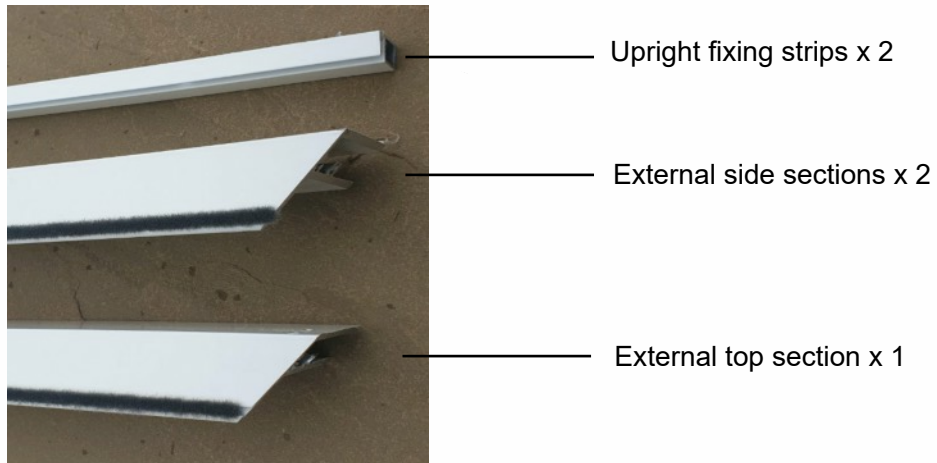
Using the long connecting pin hold the fly screen door bracket onto the opposite closer end

Then mark the position of the screws (2) of the fly screen door bracket on the fly screen door and drill pilot holes and then secure the bracket to the door with the short screws

Sub Frame

OPTIONAL SUB FRAME

The sub frame will have 5 sections, 2 upright fixing strips and 3 external frame sections.



1. Place the external frame sections in position on a flat surface and screw the top section to the 2 side sections



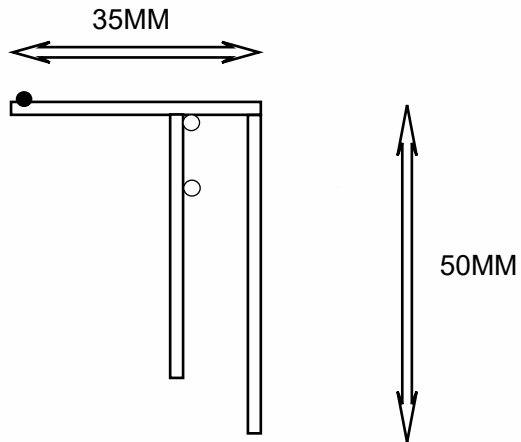
2. Position this frame onto the door frame where you want it to be fixed and make sure it is straight using a spirit level and then mark the upright positions using a pencil

3. Place the upright fixing strips inside the marked line and drill and screw into position making sure that they are vertical



4. Push the external frame onto the uprights, drill and secure with the small screws

Fly screen door sub frame



Aluminium sections finished in white or brown with integral brush pile to create a seal with the fly screen door